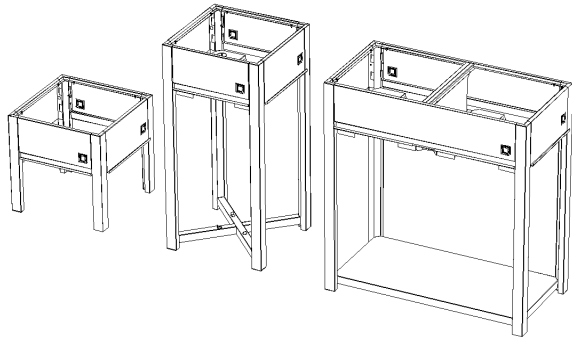
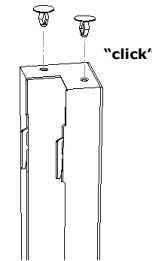


Manual
oneQ legs
 (mini, standard, large, xl)



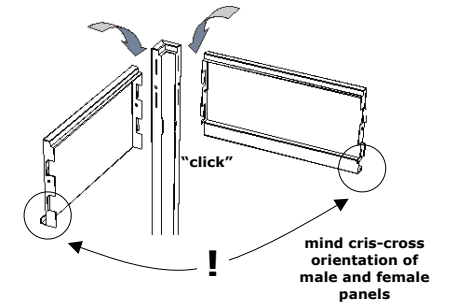
01

place knobs



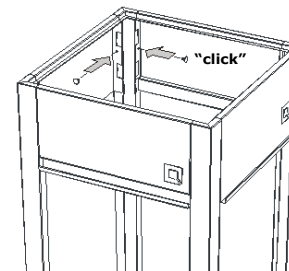
02

assemble panels
with hooks



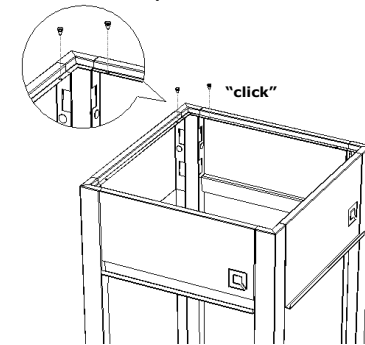
03

fasten with knobs



04

place knobs



oneQ B.V. Nederland ®
 www.one-q.com

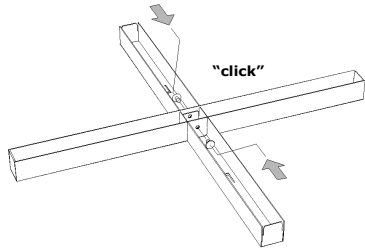


oneQ B.V. Nederland ®
 www.one-q.com



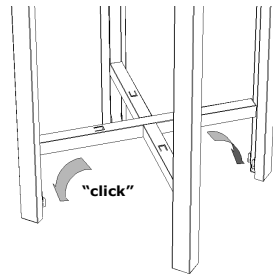
05

assemble cross and fasten with knobs
(only standard & large)



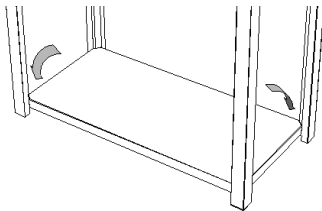
06

place in legs
(only standard & large)



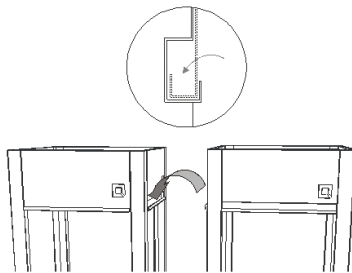
07

place the under-plate
(only xl)



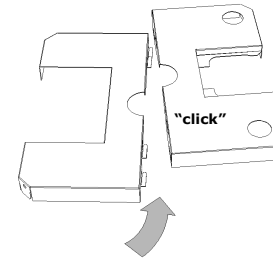
08

build your oneQ set
male-panel goes into female- panel of other leg



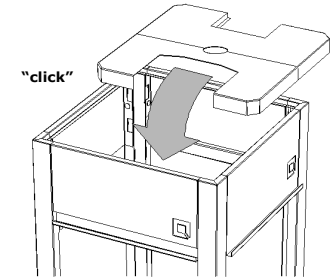
09

assemble inner-plate with hooks
and fasten with knobs



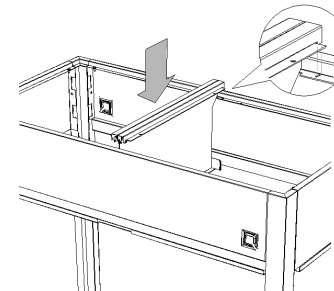
10

place inner-plate



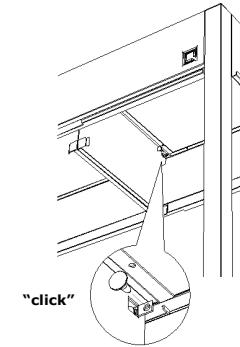
11

place "oneQ separate"



12

fasten with knobs



When using a standard or mini leg with a flame or glow, use the "inner-plate". Follow step 09 & 10
When using a xl with a flame or glow, first place "oneQ separate" in step 11 & 12, and then place two inner-plates as shown in step 09 & 10.



oneQ B.V. Nederland ®
www.one-q.com



oneQ B.V. Nederland ®
www.one-q.com

